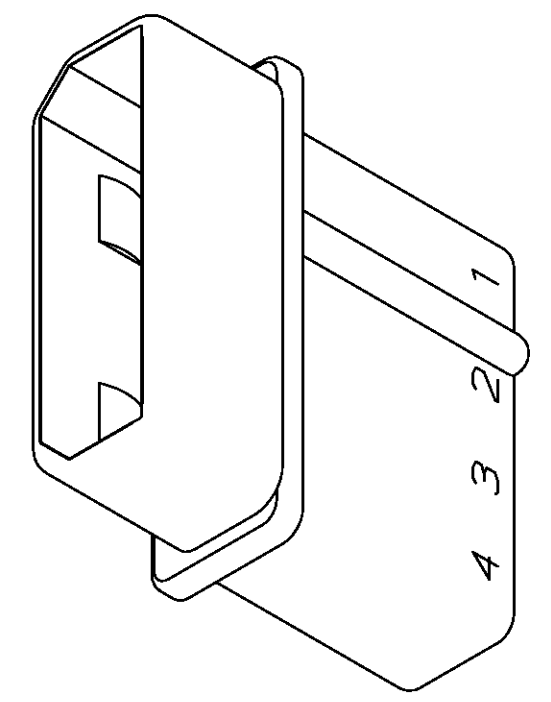
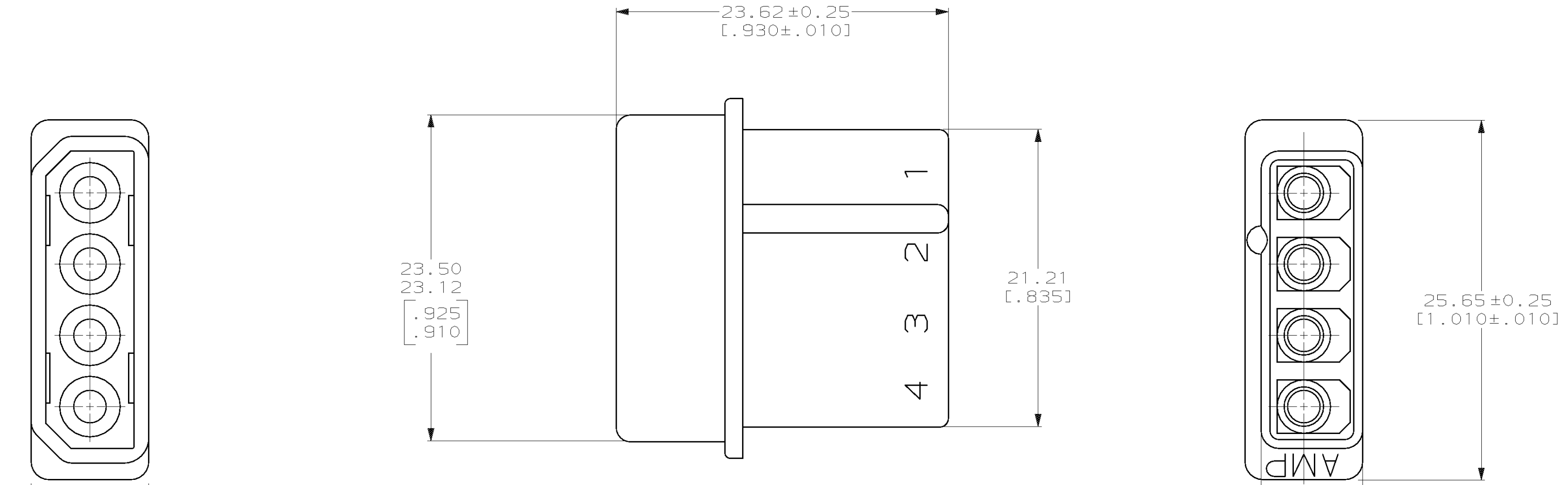


THIS DRAWING IS UNPUBLISHED. RELEASED FOR PUBLICATION ,19 .
 © COPYRIGHT 19 BY AMP INCORPORATED. ALL INTERNATIONAL RIGHTS RESERVED.

LOC	DIST	P	F	ZONE	LTR	DESCRIPTION	DATE	APPD
CM	53					0 RLSD PER PR CM 96-118	10-30-96	BL RS

1. THIS CAP TO BE USED WITH PLUG NO. 770827.
2. TO BE USED WITH APPROPRIATE COMMERCIAL MATE-N-LOK™ PINS.
3. DIMENSIONS IN BRACKETS ARE IN INCHES.



3-DIMENSIONAL MODELS NTS

METRIC

THIS DRAWING IS A CONTROLLED DOCUMENT FOR AMP INCORPORATED. IT IS SUBJECT TO CHANGE AND THE CONTROLLING ENGINEERING ORGANIZATION SHOULD BE CONTACTED FOR THE LATEST REVISION.

794132-1
PART NO

DO NOT SCALE PRINT. UNLESS SPECIFIED DIMENSIONS IN mm [INCHES] TOLERANCES ON : 2 PLC DEC ± 0.13[.005] 3 PLC DEC ± - ANGLES ± -		DR 10-30-96 B. LEWIS		AMP Incorporated Harrisburg, PA 17105-3608	
MATERIAL UL94V-0, NYLON NATURAL		CHK 10-30-96 R. SWING			
FINISH -		APPD 10-30-96 C. MARTIN		NAME CAP 4 CIRCUIT, COMMERCIAL MATE-N-LOK™	
		APPD 10-30-96 C. MARTIN		DRAWING NO C-794132	
		PRODUCT SPEC -		SIZE C	
		APPLICATION SPEC -		CAGE CODE 00779	
		WEIGHT -		SCALE 4:1	
				SHEET 1 OF 1	

CUSTOMER DRAWING